

FK Series

DC Power-Line Filters

(10-60A)



Typical application

- DC input of regulated inverters
- Switch power supplies
- Sensitive electronic instruments

Features and benefits

- High performance filters
- Good performance of both common and differential mode interference suppression
- Chassis mounting

Conformity

- CE EN 60939
- CSA C22,2 | available on request for most types
- UL 1283 | available on request for most types
- Climatic category 25/085/21 (IEC 60068-1)

Technical specifications

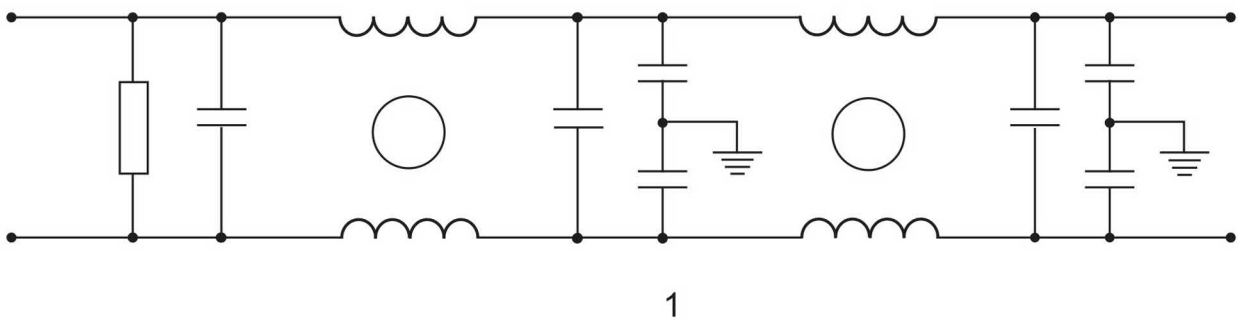
	Symbol	Value	Unit	Remarks
Rated voltage	V_R	80	VDC	
Rated current	I_R	10 ... 60	A	
Ground capacitance		44 ... 440	nF	
Operating frequency	f_{op}	50/60	Hz	
Insertion loss		up to 100/100	dB	common/differential mode
Leakage current	I_l	- - -	mA	
Operating temperature	T_{amb}	-25 ... +85	°C	
Storage temperature	T_s	-25 ... +85	°C	
Test voltage - line to line	V_{test}	350	VDC	
Test voltage - line to ground	V_{test}	1414	VDC	

Electrical properties

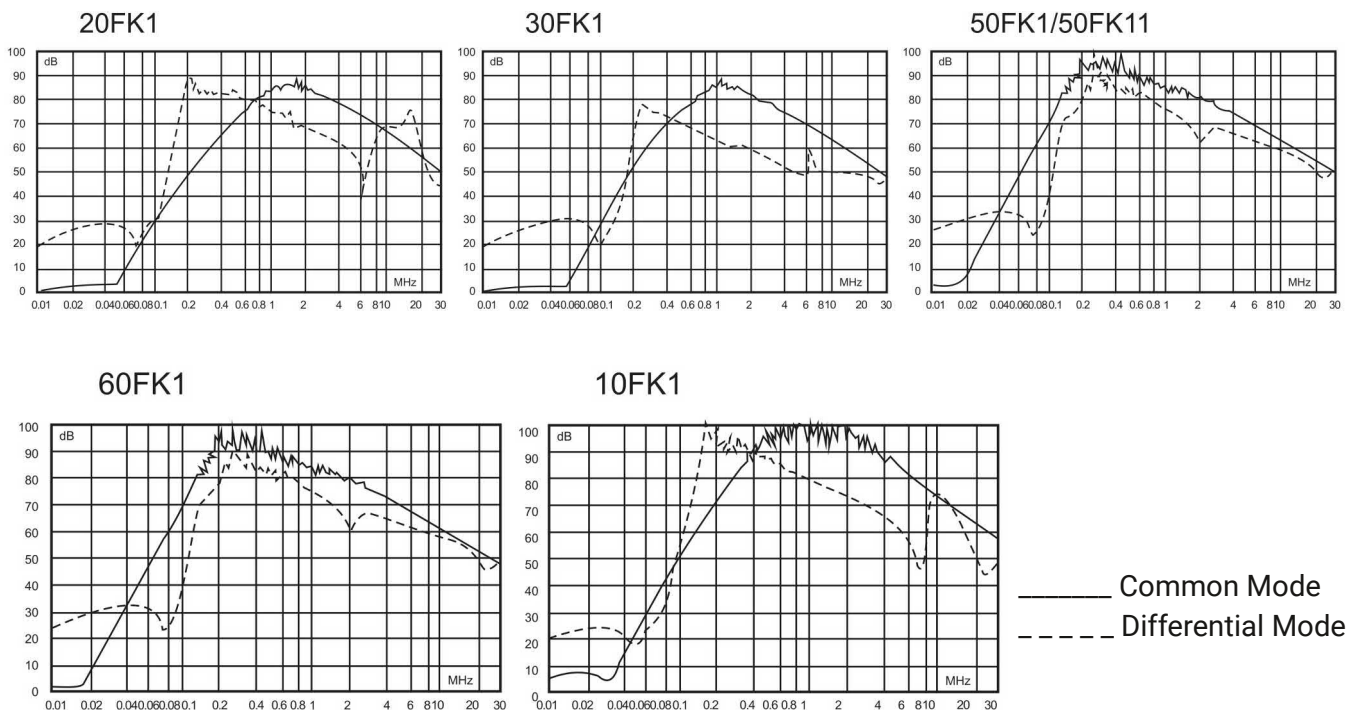
Model	Connection		Rated Current [A]	Ground Capacitance [nF]	Leakage Current [mA]	Circuit Diagram	Package Type	Size (LxBxH) [mm]
	Line	Load						
DL-10FK1	S	S	10	44	-	1	D	max. 102.5x50.5x36
DL-20FK1	S	S	20	44	-	1	D	max. 109x57x45
DL-30FK1	S	S	30	44	-	1	F	max. 123x67x50x4.5 \emptyset
DL-50FK1	S	S	50	440	-	1	F	max. 196x51x38x4.5 \emptyset
DL-50FK11	S	S	50	440	-	1	G	max. 162x60x70
DL-60FK1	S	S	60	440	-	1	F	max. 196x51x38x4.5 \emptyset

Legend: S = screw terminal

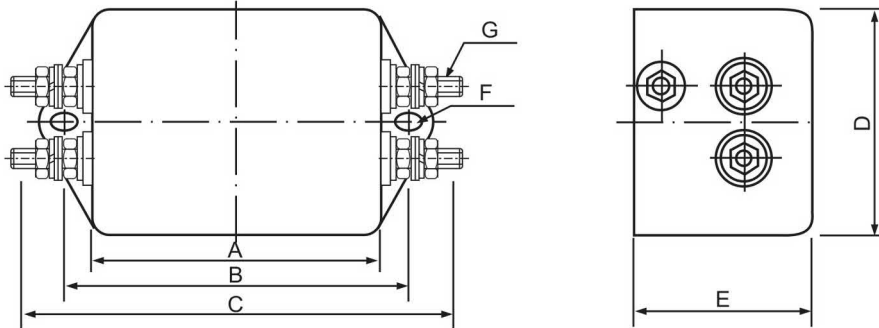
Circuit schematic



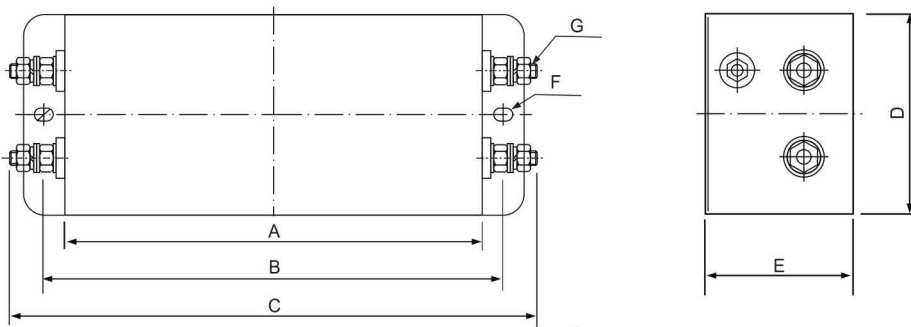
Insertion loss characteristics



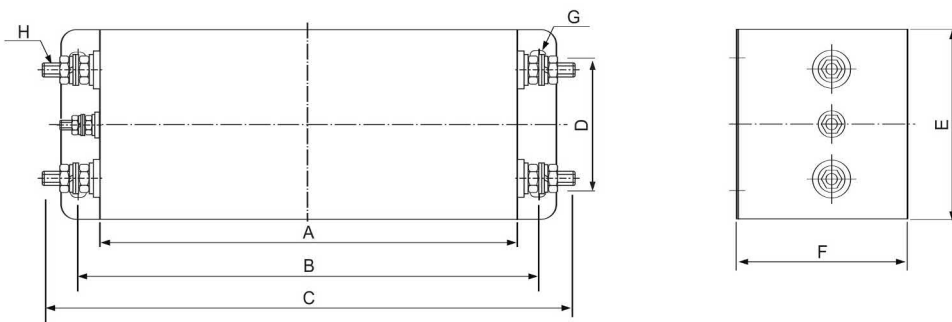
Mechanical packaging



D...



F



G...

Metralytica GmbH
Oehleckerring 13
22419 Hamburg
Germany

www.metralytica.eu

+49 40 5936175-00
sales@metralytica.eu