

EBT1/40_EBK1/40 Series

Terminal Block Power-Line Filters (5-150A)



Typical application

- Heavy interference equipment such as inverter for speed control systems

Features and benefits

- Excellent performance for both common and differential mode suppression starting from low frequency
- Easy connection terminal block with protective cover
- Low leakage current

Conformity

- CE EN 60939
- CSA C22,2 | available on request for most types
- UL 1283 | available on request for most types
- Climatic category | 40/085/21 (IEC 60068-1)

Technical specifications

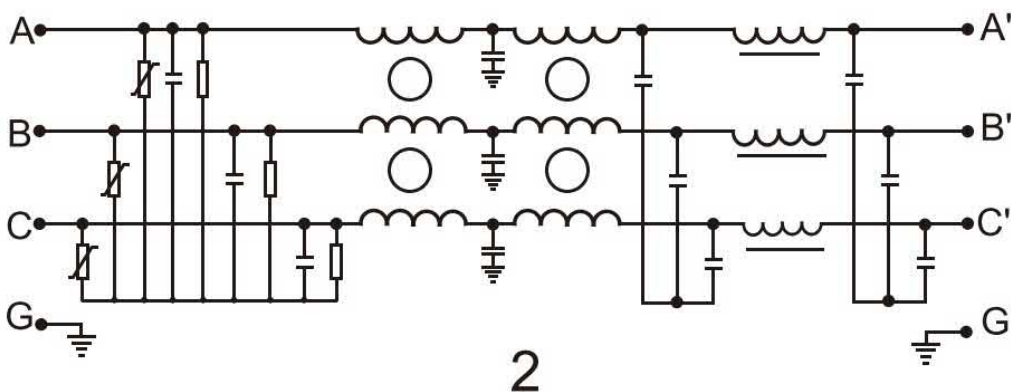
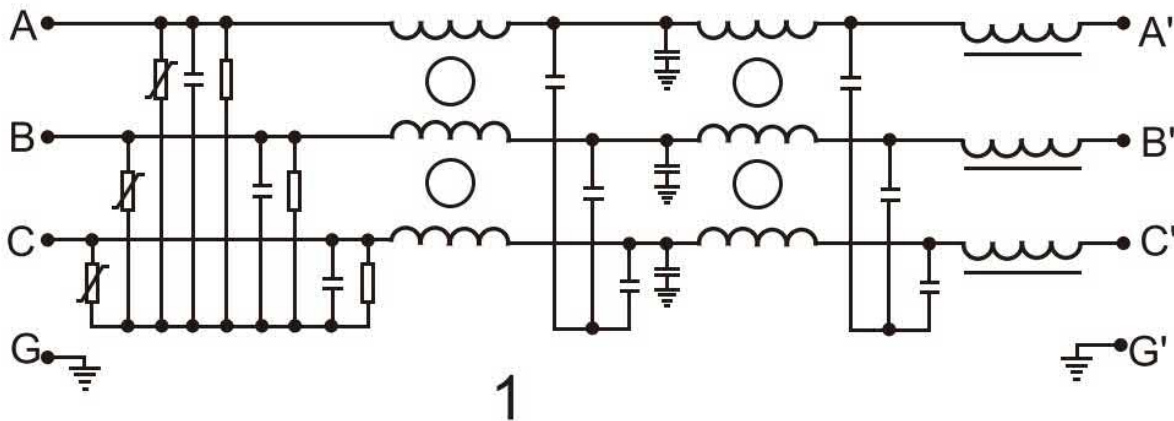
	Symbol	Value	Unit	Remarks
Rated voltage	V_R	440/250	VAC	
Rated current	I_R	5 ... 150	A	
Ground capacitance		47 ... 200	nF	
Operating frequency	f_{op}	50/60	Hz	
Insertion loss		up to 100/100	dB	common/dfferential mode
Leakage current	I_l	---	mA	
Operating temperature	T_{amb}	-40 ... +85	°C	
Storage temperature	T_S	-40 ... +85	°C	
Test voltage - line to line	V_{test}	1500	VDC	
Test voltage - line to ground	V_{test}	2250	VDC	

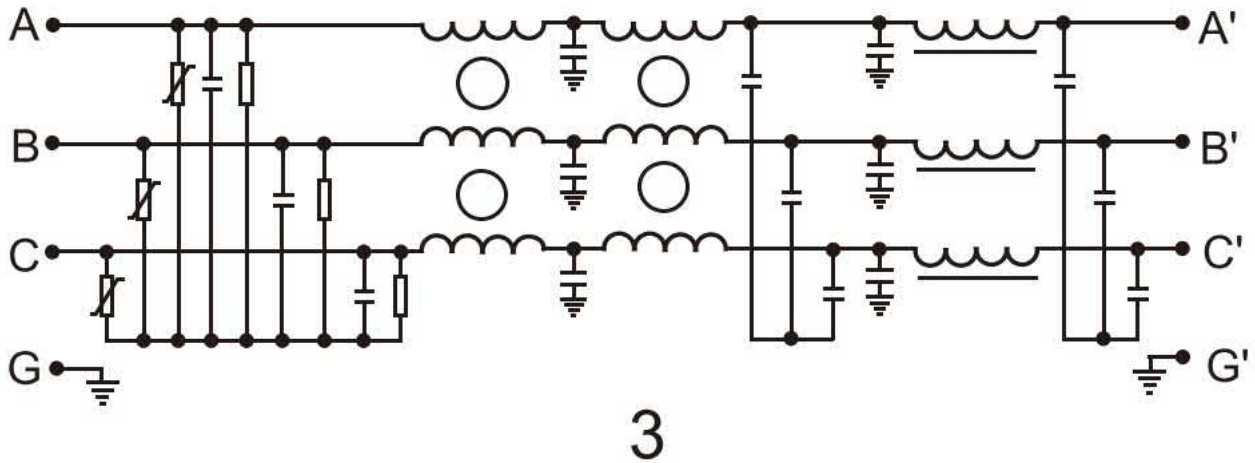
Electrical properties

Model	Connection		Rated Current [A]	Ground Capacitance [nF]	Discharge Resistance [MΩ]	Circuit Diagram	Package Type
	Line	Load					
DL-5EBT1/40	T	T	5	47	0.22	1	1
DL-10EBT1/40	T	T	10	47	0.22	1	1
DL-15EBT1/40	T	T	15	47	0.22	1	1
DL-20EBT1/40	T	T	20	47	0.22	1	2
DL-25EBT1/40	T	T	25	47	0.22	1	2
DL-35EBT1/40	T	T	35	47	0.22	1	2
DL-50EBT1/40	T	T	50	100	0.22	2	2
DL-65EBT1/40	T	T	65	100	0.22	2	2
DL-180EBT1/40	T	T	80	100	0.22	2	3
DL-100EBK1/40	T	T	100	200	0.22	3	3
DL-150EBK1/40	T	T	150	200	0.22	3	3

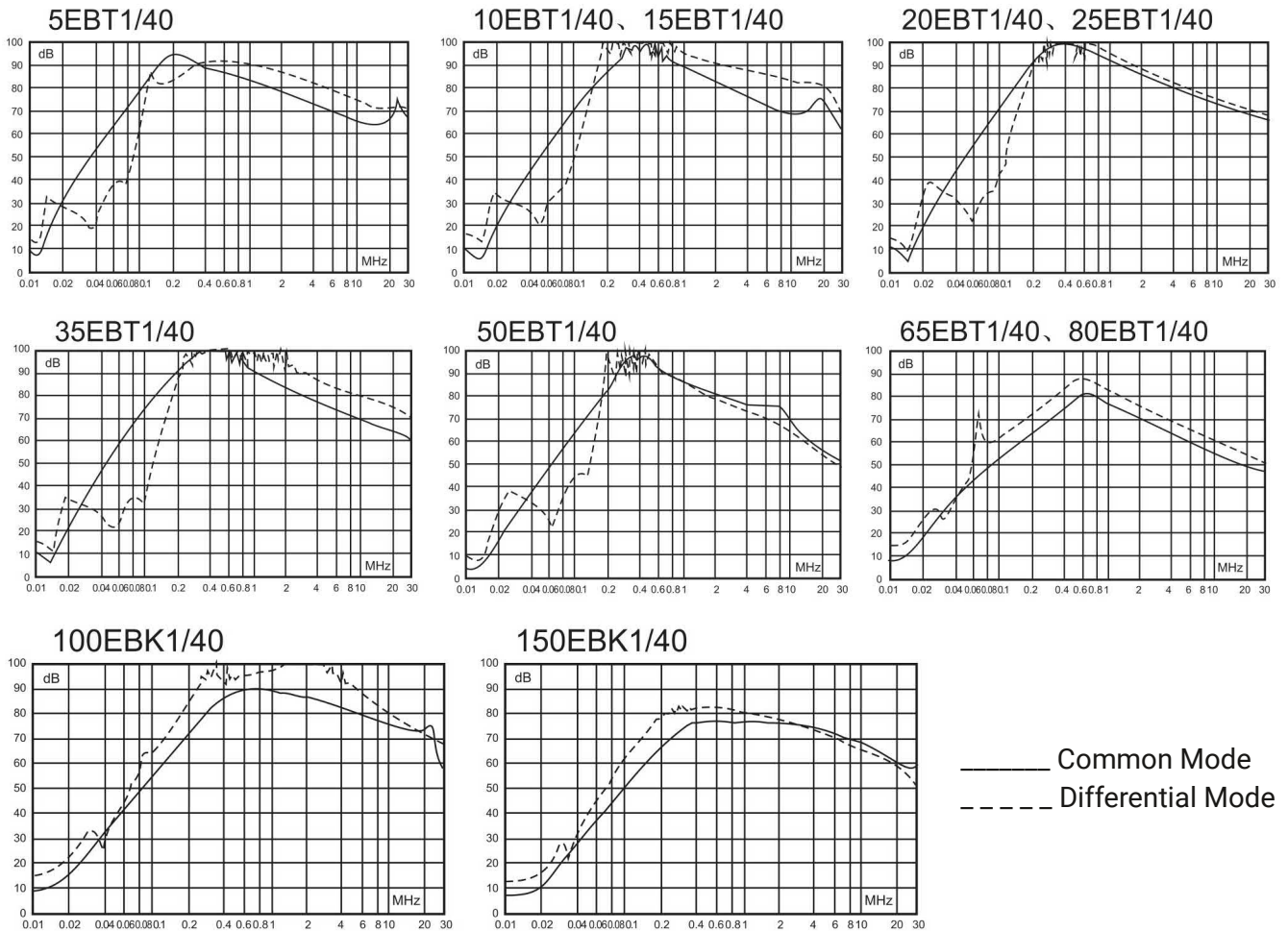
Legend: T = terminal block

Circuit schematic

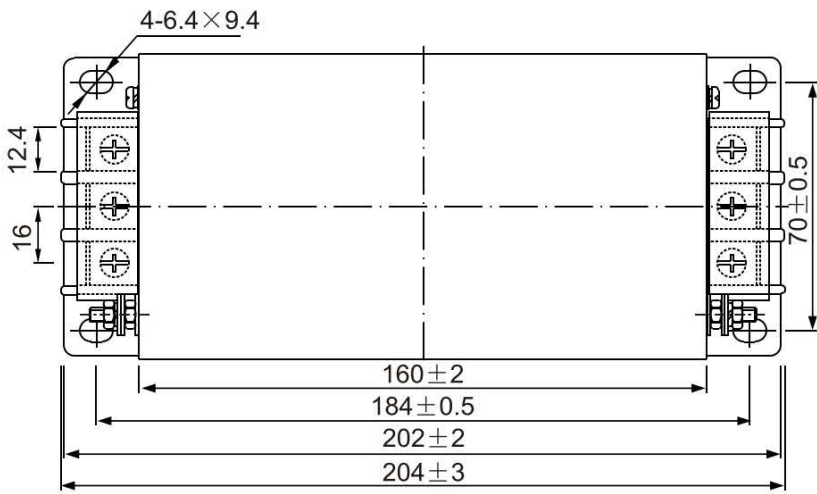




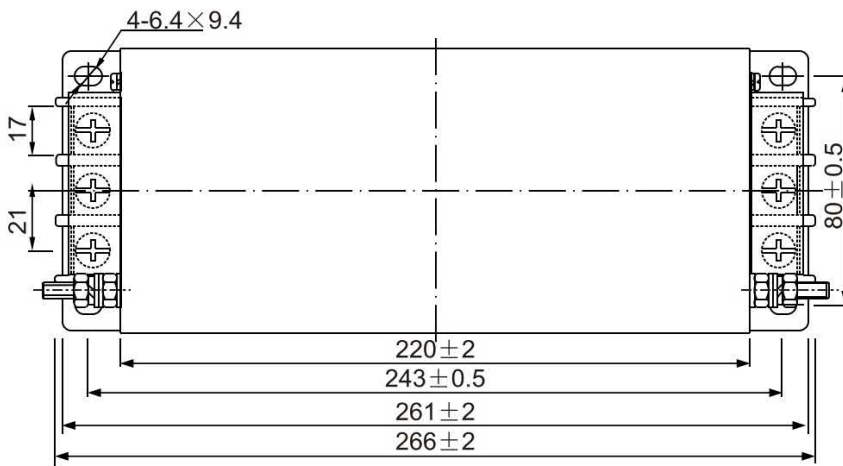
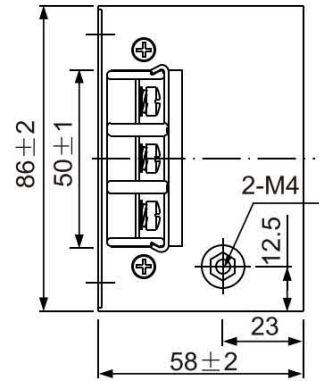
Insertion loss characteristics



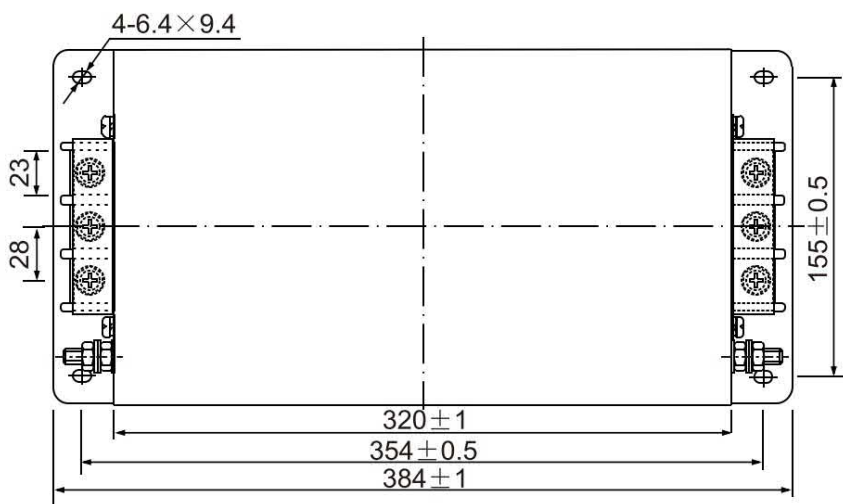
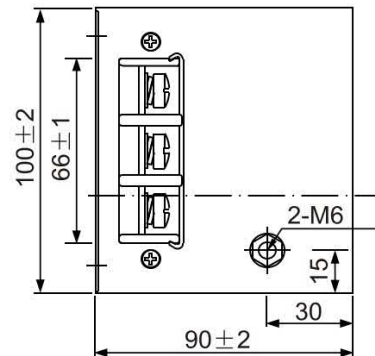
Mechanical packaging



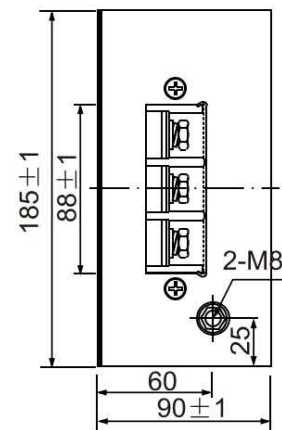
1



2



3



Metralytica GmbH
Oehleckerring 13
22419 Hamburg
Germany

www.metralytica.eu

+49 40 5936175-00
sales@metralytica.eu