

EBL Series

Output Filters

(5-600A)



Typical application

- Frequency converters
- UPS AC and DC inverter equipment
- Reducing wear of inverter and motor choke

Features and benefits

- dv/dt limitation
- Over-voltage protection
- Reduction of electromagnetic interference levels from inverters

Conformity

- CE EN 60939
- CSA C22,2 | available on request for most types
- UL 1283 | available on request for most types
- Climatic category | 40/085/21 (IEC 60068-1)

Technical specifications

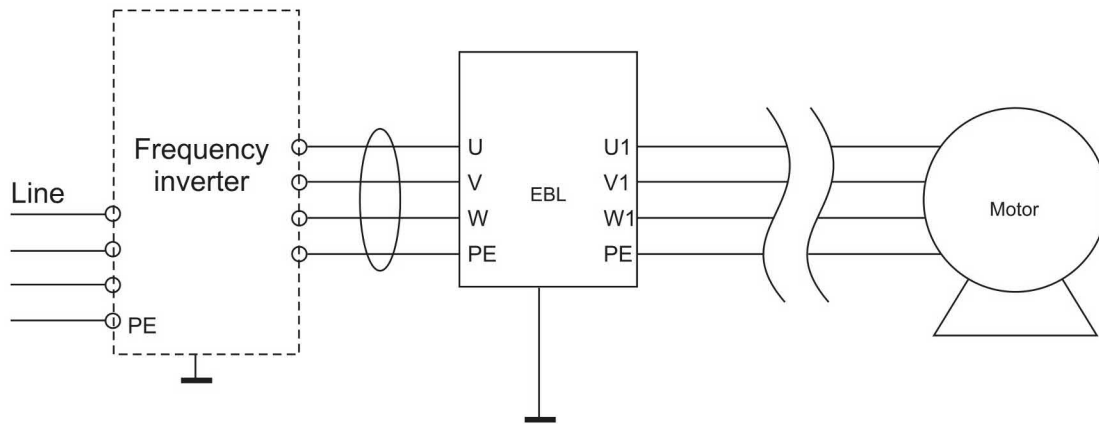
	Symbol	Value	Unit	Remarks
Rated voltage	V_R	480/250	VAC	
Rated current	I_R	5 ... 160	A	
Operating frequency	f_{op}	0 ... 120	Hz	
Switching frequency		≤60	KHz	
Insertion loss		---	dB	
Leakage current	I_l	---	mA	
Operating temperature	T_{amb}	-40 ... +85	°C	
Storage temperature	T_S	-40 ... +85	°C	
Test voltage - line to line	V_{test}	1500	VDC	
Test voltage - line to ground	V_{test}	2250	VDC	

Electrical properties

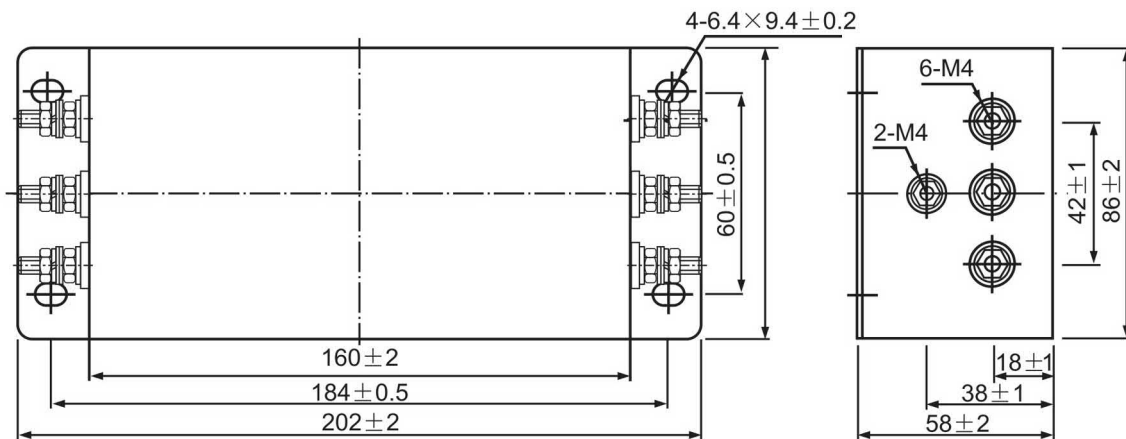
Model	Connection		Rated Current [A]	Package Type
	Line	Load		
DL-5EBL1	S	S	5	1
DL-5EBL5				
DL-10EBL1	S	S	10	1
DL-10EBL5				
DL-15EBL1	S	S	15	1
DL-16EBL5			16	
DL-20EBL1	S		20	1
DL-25EBL1	S	S	25	1/2
DL-25EBL5				
DL-35EBL1	S	S	35	1/2
DL-35EBL5				
DL-50EBL1	S	S	50	2
DL-50EBL5				
DL-65EBL1	S	S	65	2
DL-65EBL5				
DL-80EBL1	S	S	80	3
DL-80EBL5				
DL-100EBL1	S	S	100	3
DL-100EBL5				
DL-150EBL1	S	S	150	3
DL-160EBL5			160	
DL-200EBL1	S	S	200	3/5
DL-200EBL5				
DL-300EBL3			300	
DL-400EBL3	B	B	400	4
DL-600EBL3			600	

Legend: S = screw terminal
B = bus bar

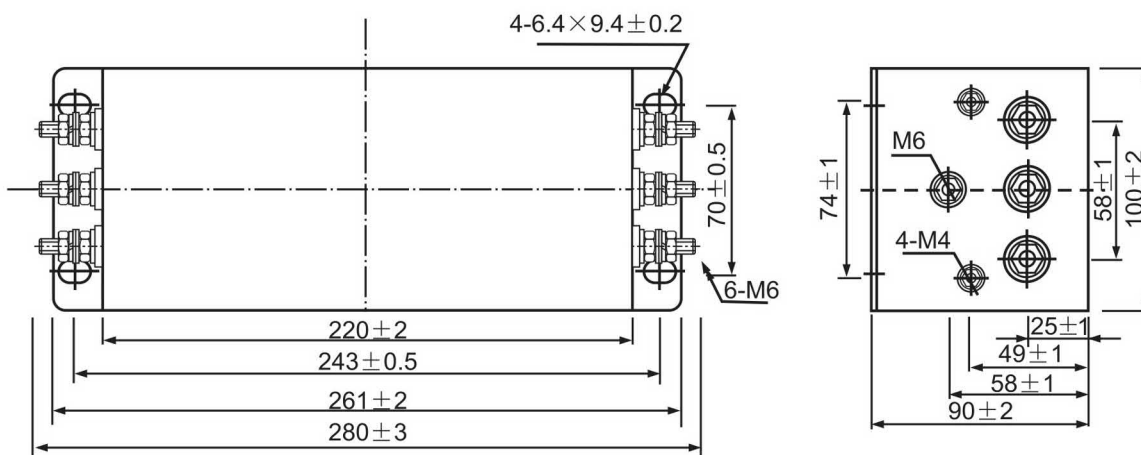
Connection diagram



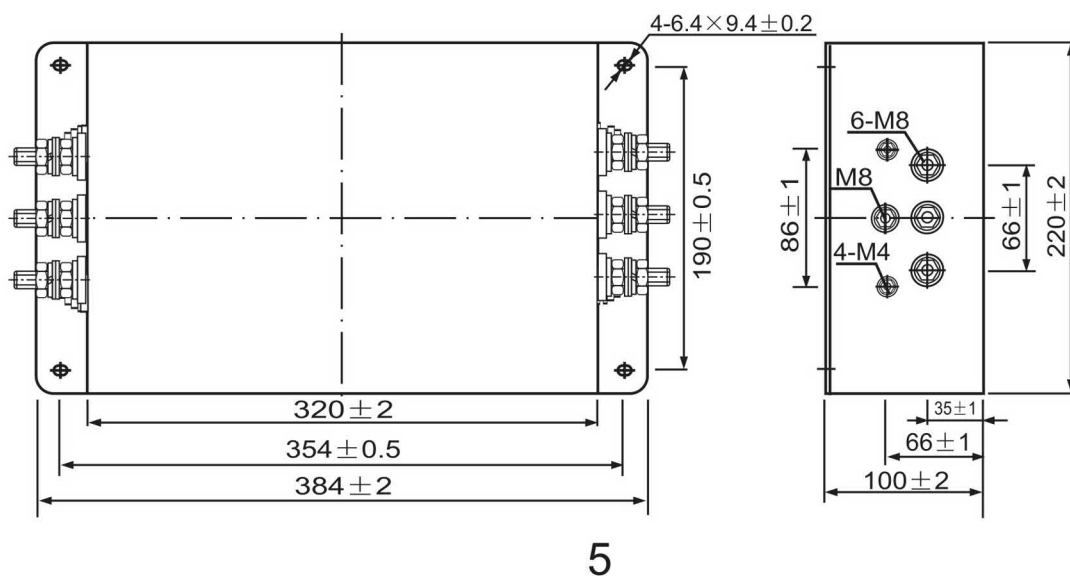
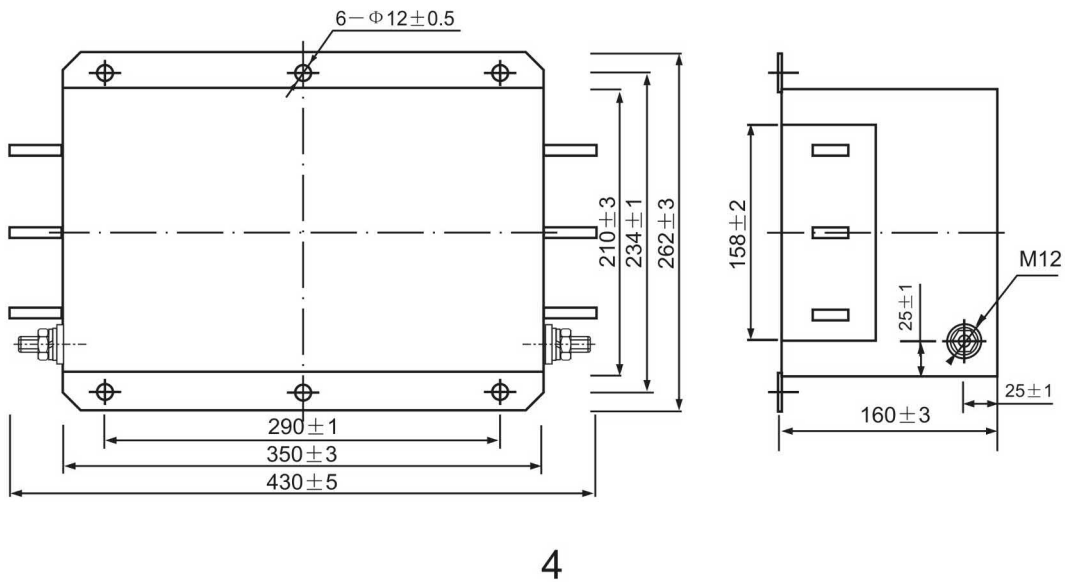
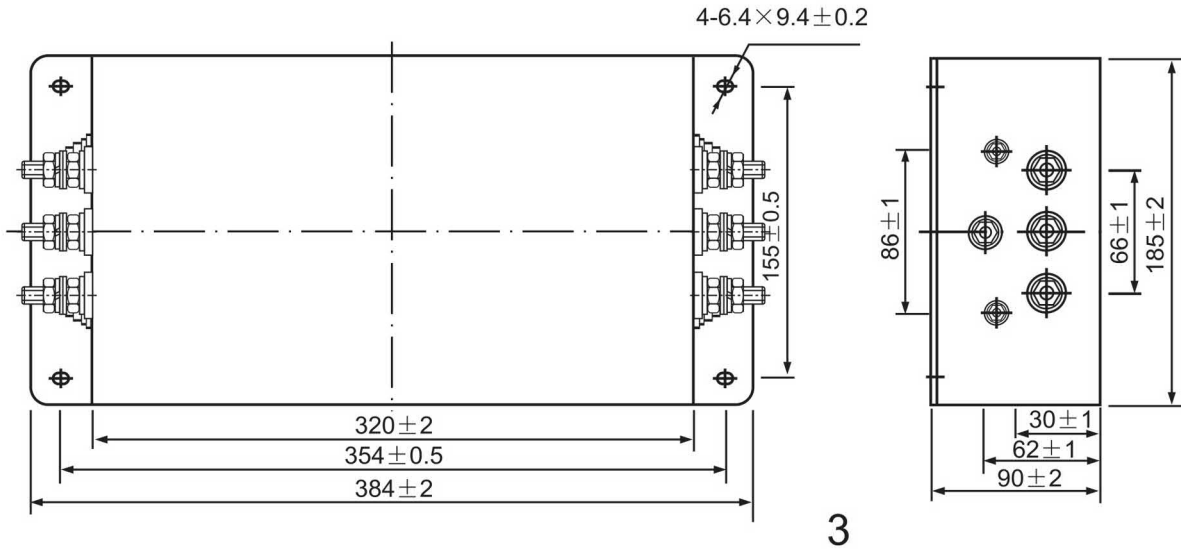
Mechanical packaging



1



2



Metralytica GmbH
Oehleckerring 13
22419 Hamburg
Germany

www.metralytica.eu

+49 40 5936175-00
sales@metralytica.eu