

EBK1_EBK3 Series

High Performance Power-Line Filters

(100-800A)



Typical application

- Strong interference environments, e.g. inverter for speed control systems

Features and benefits

- 3-phase, 3-line
- Excellent performance for both common and differential mode suppression starting from low frequency
- High rated current

Conformity

- CE EN 60939
- CSA C22,2 | available on request for most types
- UL 1283 | available on request for most types
- Climatic category | 40/085/21 (IEC 60068-1)

Technical specifications

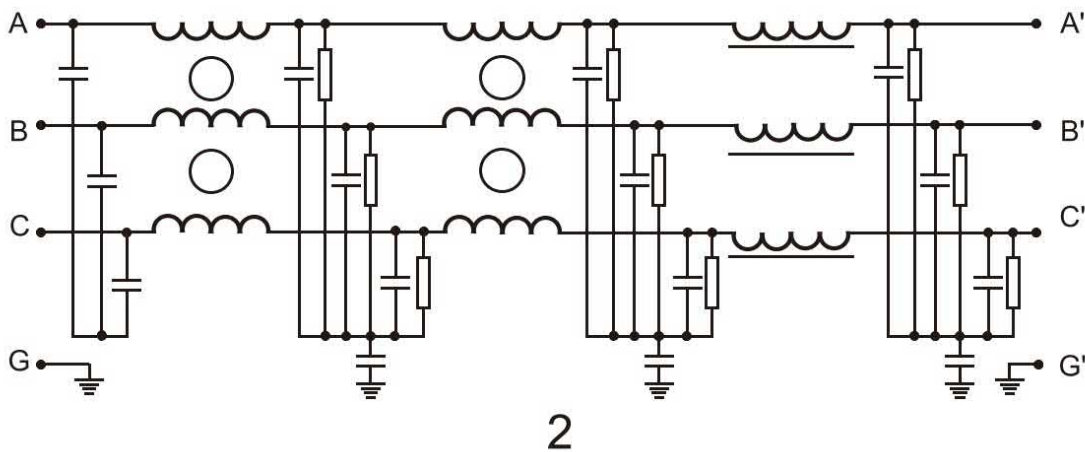
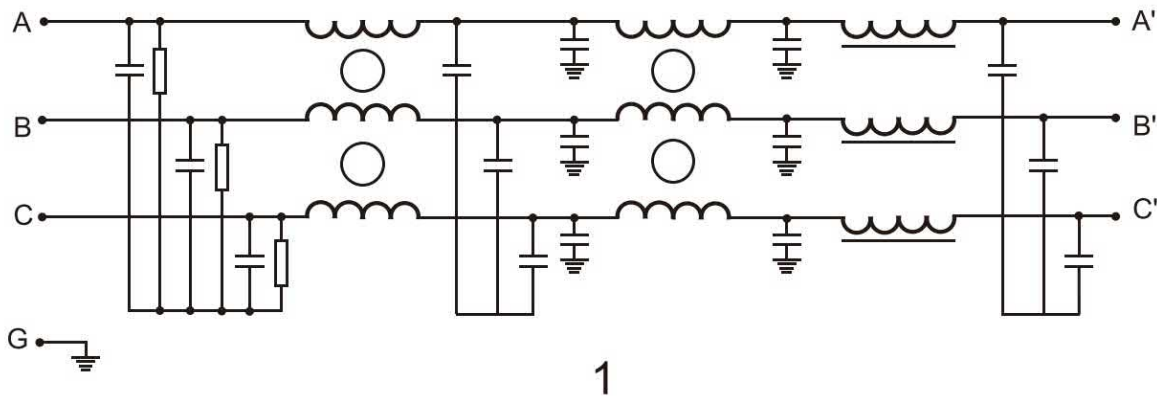
	Symbol	Value	Unit	Remarks
Rated voltage	V_R	440/250	VAC	
Rated current	I_R	100 ... 800	A	
Ground capacitance		2.1nF ... 100	nF	
Operating frequency	f_{op}	50/60	Hz	
Insertion loss		up to 100/100	dB	common/dfferential mode
Leakage current	I_l	---	mA	
Operating temperature	T_{amb}	-40 ... +85	°C	
Storage temperature	T_S	-40 ... +85	°C	
Test voltage - line to line	V_{test}	1500	VDC	
Test voltage - line to ground	V_{test}	2250	VDC	

Electrical properties

Model	Connection		Rated Current [A]	Ground Capacitance [nF]	Discharge Resistance [MΩ]	Circuit Diagram	Package Type
	Line	Load					
DL-100EBK1	S	S	100	100	220	1	1
DL-150EBK1	S	S	150	100	220	1	1
DL-200EBK1	S	S	200	100	220	1	2
DL-300EBK3	B	B	300	2.1μF	660	2	3
DL-400EBK3	B	B	400	2.1μF	660	2	3
DL-600EBK3	B	B	600	2.1μF	660	2	3
DL-800EBK3	B	B	800	2.1μF	660	2	3

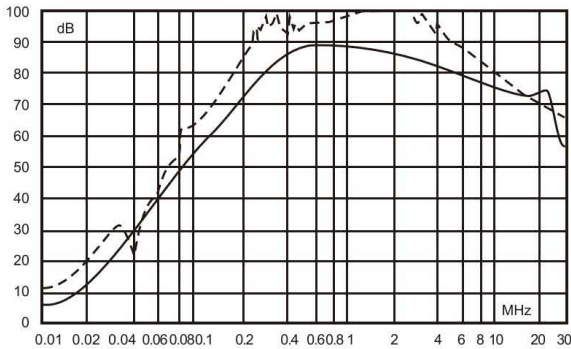
Legend: S = screw terminal B = bus bar

Circuit schematic

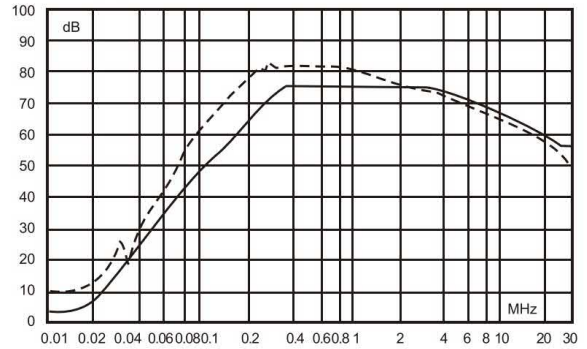


Insertion loss characteristics

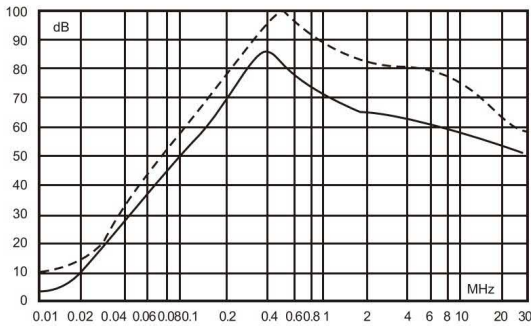
100EBK1



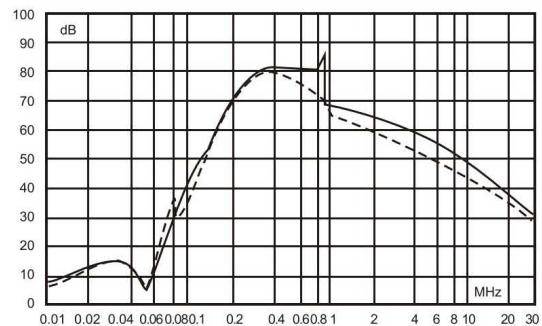
150EBK1



200EBK1

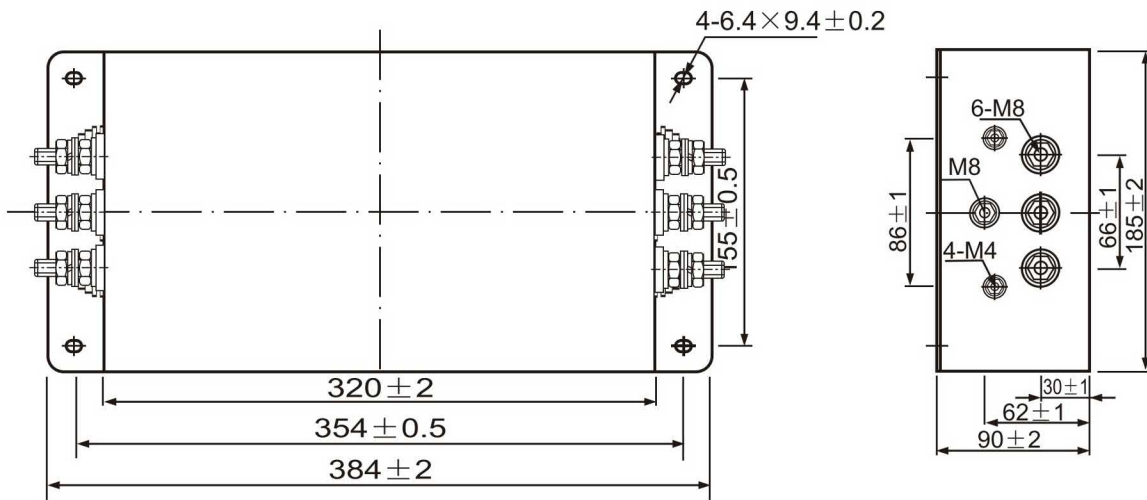


300EBK3/400EBK3/600EBK3/800EBK3

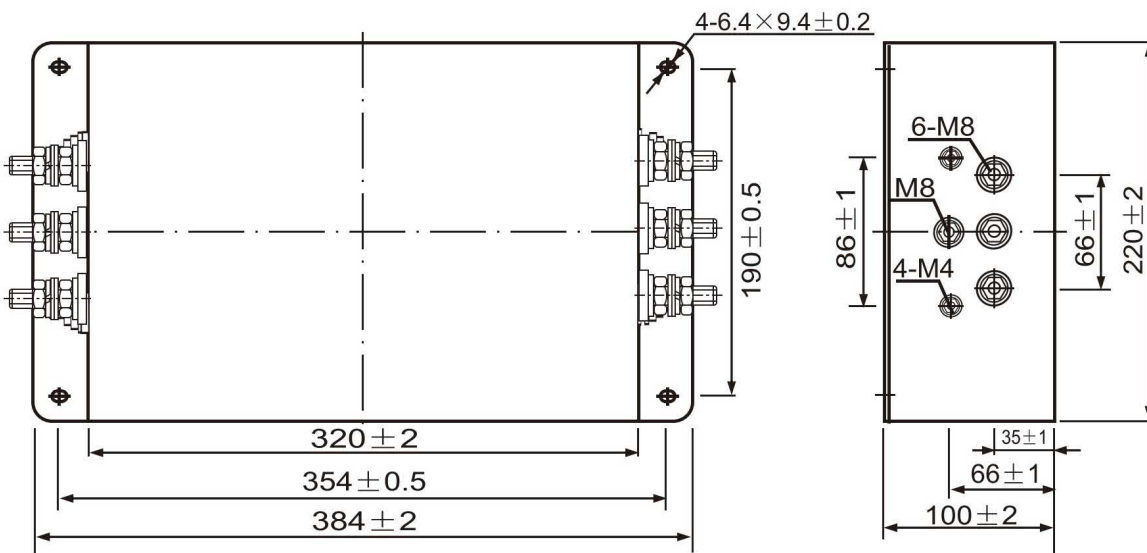


_____ Common Mode
 - - - - - Differential Mode

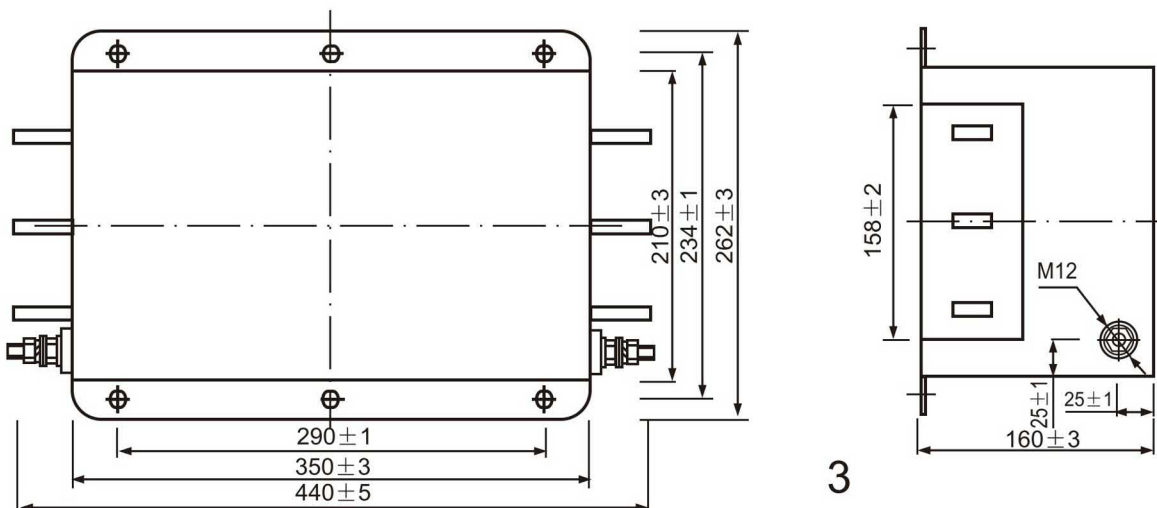
Mechanical packaging



1



2



3

Metralytica GmbH
Oehleckerring 13
22419 Hamburg
Germany

www.metralytica.eu

+49 40 5936175-00
sales@metralytica.eu